

### Round Head Open End Blind Rivets

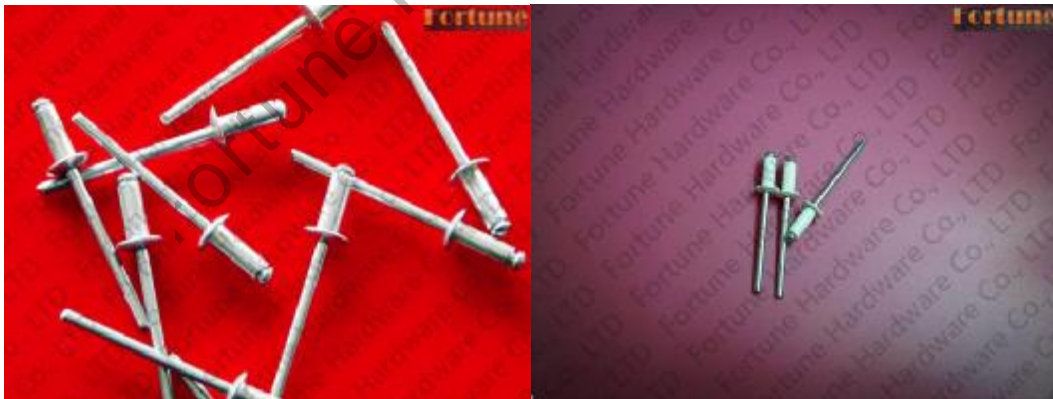
**Standard:** DIN7337, GB/T 12618-90

**Material:** Aluminum (5050,5154)

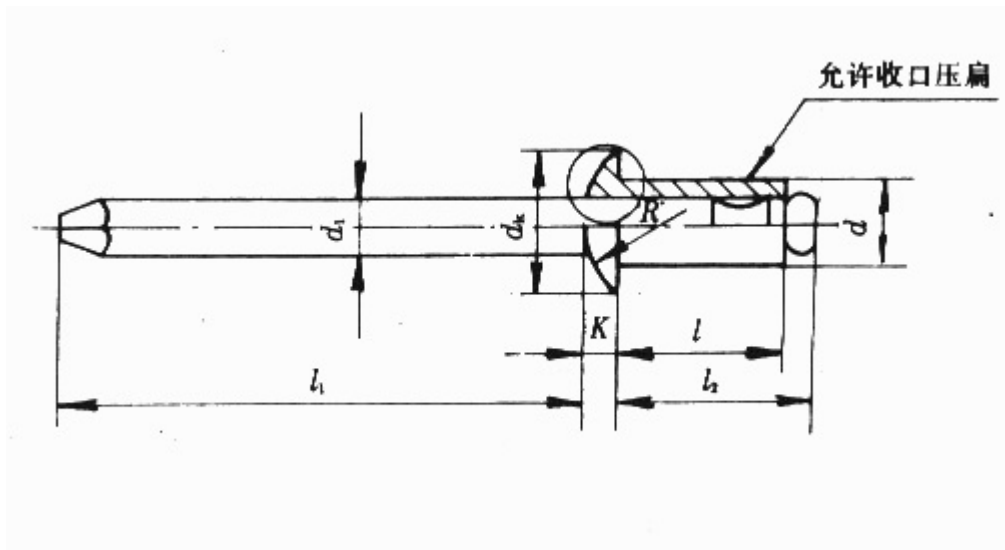
**Finish:** Baking varnish, Zinc plating, nickel plating, Dacromet

**Round Head Open End Blind Rivets** is a blind rivet consists of a tubular stainless steel body with a mandrel, or retention piece, through its center. The mandrel keeps the rivet in place as the worker uses a rivet gun to pull the body through, allowing the remaining piece to snap off. This leaves the mandrel head in place, securing the two objects being joined together.

The typical **Round Head Open End Blind Rivets** as below



And below is the common drawing for this kind:



$d$	公称	3	(3.2)	4	5	6
	min	2.93	3.11	3.91	4.91	5.91
	max	3.07	3.29	4.09	5.09	6.09
$d_k$	max	6.24		8.29	10.29	12.35
	min	5.76		7.71	9.71	11.65
$k$		1.4		1.7	2.0	2.5
$d_1 \approx$		1.80		2.18	2.80	3.60
$l_{1min}$		26		27		31
$R$		5.0		6.8	8.2	9.3
$r_{max}$		0.5			0.7	
$l_{2max}$		$l+3.4$	$l+3.5$		$l+4.0$	$l+4.5$
$l$		7~19	7~19	8~20	9~34	10~40