

### Carbon Steel Hexagon Socket Head Bolt

**Standard:** DIN912, ISO4762, GB/T70-2000, DIN7984

**Material:** C1018, Q235, C1008, St37, C1016, Q255, Q275, if you need to use other carbon steel, please let us know.

**Heat Treatment:** Quenching and tempering, If you have special hardness requirement, please let us know.

**Surface Hardness:** 110HV~ 1000HV, as your requirement

**Finish:** Plating or other

**Head:** Hexagon Socket

**Thread Direction:** Normal is right hand/dextrorotation, if you want left hand, please let us know.

**Tensile strength:** 300~1200N/mm<sup>2</sup>

**Carbon Steel Hexagon Socket Head Bolt** is a hex socket bolt, also known as the socket head cap bolt, is a headed and externally threaded part designed for insertion through a close tolerance internally tapped hole and mated with a nut. Tension on the hex socket bolt is induced by rotation of the bolt head. There is a hex socket in the head that accepts a hex wrench to tighten the socket head cap bolt. The point at the threaded end of the socket head cap bolt is machined flat so it will fit into a drilled hole.

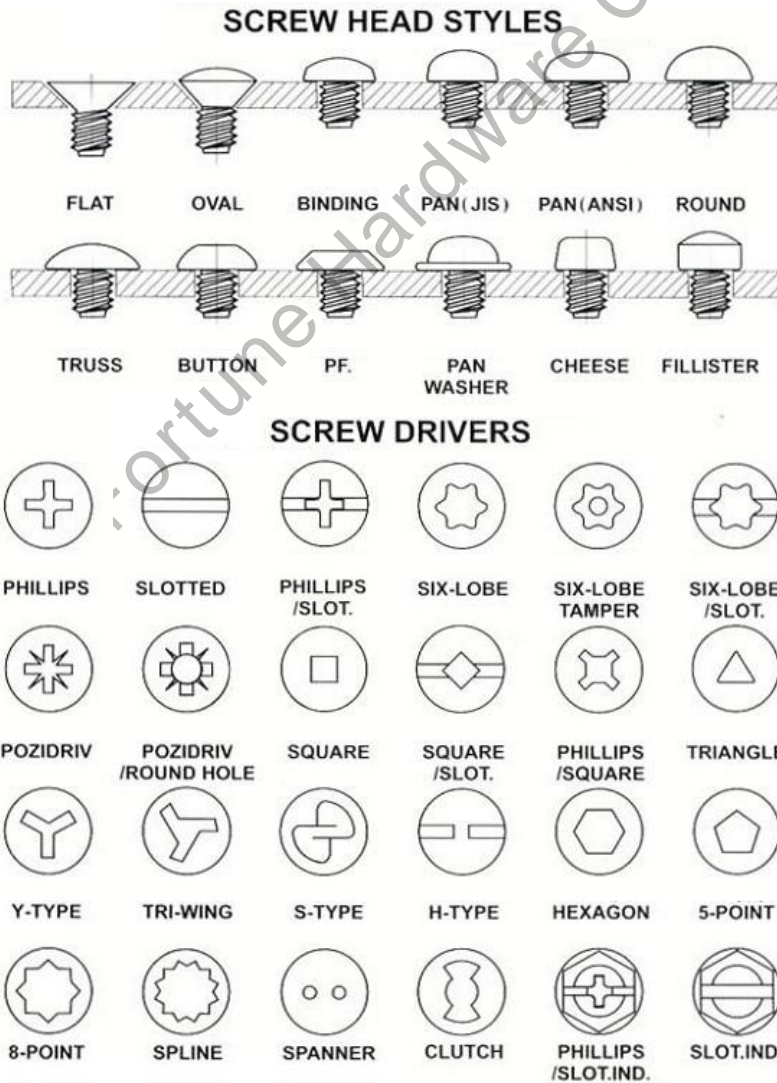
More than 90% of the fasteners manufactured by carbon steel. The reason is very simple, carbon steel has excellent work performance; Strength properties can be gained through various; And compared with other common fastener materials, its price is also very cheap. In general, the carbon steel in use can be three kinds: low carbon steel, medium carbon steel, and alloy steel.

Low carbon steel used in the manufacture of low carbon steel fasteners, defined as those with low carbon content to facilitate the strength of carbon steel heat treatment process can have a predictable response. The most commonly used is AISI 1006, 1008, 1016, 1008, 1021 and 1022. The carbon steel has good work performance, they can be hardening or be welding, they can also continue to improve its strength characteristics by cold working processing.

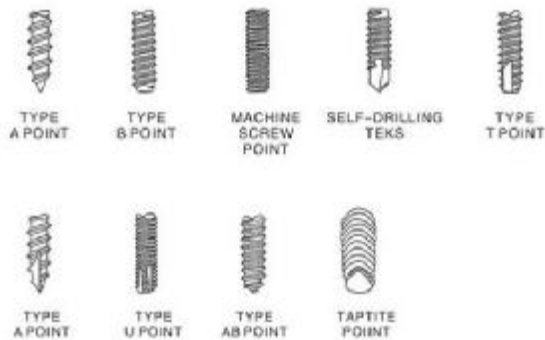
The typical **Carbon Steel Hexagon Socket Head Bolt** as below



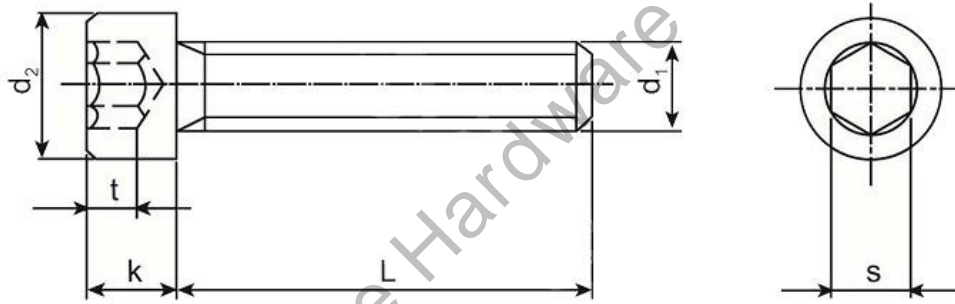
You can refer to below chart/list of Bolt Head/Thread ending



Thread Ending



And below is the common drawing for this kind:



Below chart show some typical dimensions of them, you can refer it, or you can change it for your own design, if you want know more standard dimensions of them , you can contact us.

Item	Standard	d1(mm)	L(mm)	d2(mm)	K(mm)	S(mm)	t min(mm)
M3X6	ISO4762	M3	6	5.5	3	2.5	1.3
M3X8	ISO4762	M3	8	5.5	3	2.5	1.3
M3X10	ISO4762	M3	10	5.5	3	2.5	1.3
M3X12	ISO4762	M3	12	5.5	3	2.5	1.3
M3X16	ISO4762	M3	16	5.5	3	2.5	1.3
M3X20	ISO4762	M3	20	5.5	3	2.5	1.3
M3X25	ISO4762	M3	25	5.5	3	2.5	1.3
M3X30	ISO4762	M3	30	5.5	3	2.5	1.3
M4X6	ISO4762	M4	6	7	4	3	2
M4X8	ISO4762	M4	8	7	4	3	2
M4X10	ISO4762	M4	10	7	4	3	2
M4X12	ISO4762	M4	12	7	4	3	2
M4X14	ISO4762	M4	14	7	4	3	2
M4X16	ISO4762	M4	16	7	4	3	2
M4X18	ISO4762	M4	18	7	4	3	2
M4X20	ISO4762	M4	20	7	4	3	2
M4X25	ISO4762	M4	25	7	4	3	2
M4X30	ISO4762	M4	30	7	4	3	2
M4X35	ISO4762	M4	35	7	4	3	2
M4X40	ISO4762	M4	40	7	4	3	2
M4X45	ISO4762	M4	45	7	4	3	2
M5X8	ISO4762	M5	8	8.5	5	4	2.5
M5X10	ISO4762	M5	10	8.5	5	4	2.5
M5X12	ISO4762	M5	12	8.5	5	4	2.5
M5X14	ISO4762	M5	14	8.5	5	4	2.5
M5X16	ISO4762	M5	16	8.5	5	4	2.5
M5X18	ISO4762	M5	18	8.5	5	4	2.5
M5X20	ISO4762	M5	20	8.5	5	4	2.5
M5X22	ISO4762	M5	22	8.5	5	4	2.5



M5X25	ISO4762	M5	25	8.5	5	4	2.5
M5X30	ISO4762	M5	30	8.5	5	4	2.5
M5X35	ISO4762	M5	35	8.5	5	4	2.5
M5X40	ISO4762	M5	40	8.5	5	4	2.5
M5X45	ISO4762	M5	45	8.5	5	4	2.5
M5X50	ISO4762	M5	50	8.5	5	4	2.5
M5X55	ISO4762	M5	55	8.5	5	4	2.5
M5X60	ISO4762	M5	60	8.5	5	4	2.5
M6X10	ISO4762	M6	10	10	6	5	3
M6X12	ISO4762	M6	12	10	6	5	3
M6X14	ISO4762	M6	14	10	6	5	3
M6X16	ISO4762	M6	16	10	6	5	3
M6X18	ISO4762	M6	18	10	6	5	3
M6X20	ISO4762	M6	20	10	6	5	3
M6X22	ISO4762	M6	22	10	6	5	3
M6X25	ISO4762	M6	25	10	6	5	3
M6X30	ISO4762	M6	30	10	6	5	3
M6X35	ISO4762	M6	35	10	6	5	3
M6X40	ISO4762	M6	40	10	6	5	3
M6X45	ISO4762	M6	45	10	6	5	3
M6X50	ISO4762	M6	50	10	6	5	3
M6X55	ISO4762	M6	55	10	6	5	3
M6X60	ISO4762	M6	60	10	6	5	3
M6X65	ISO4762	M6	65	10	6	5	3
M6X70	ISO4762	M6	70	10	6	5	3
M6X80	ISO4762	M6	80	10	6	5	3
M6X90	ISO4762	M6	90	10	6	5	3
M6X100	ISO4762	M6	100	10	6	5	3
M6X120	ISO4762	M6	120	10	6	5	3
M6X140	ISO4762	M6	140	10	6	5	3
M6X150	ISO4762	M6	150	10	6	5	3
M8X12	ISO4762	M8	12	13	8	6	4
M8X14	ISO4762	M8	14	13	8	6	4
M8X16	ISO4762	M8	16	13	8	6	4
M8X18	ISO4762	M8	18	13	8	6	4
M8X20	ISO4762	M8	20	13	8	6	4
M8X22	ISO4762	M8	22	13	8	6	4
M8X25	ISO4762	M8	25	13	8	6	4
M8X30	ISO4762	M8	30	13	8	6	4
M8X35	ISO4762	M8	35	13	8	6	4
M8X40	ISO4762	M8	40	13	8	6	4
M8X45	ISO4762	M8	45	13	8	6	4
M8X50	ISO4762	M8	50	13	8	6	4



M8X55	ISO4762	M8	55	13	8	6	4
M8X60	ISO4762	M8	60	13	8	6	4
M8X65	ISO4762	M8	65	13	8	6	4
M8X70	ISO4762	M8	70	13	8	6	4
M8X75	ISO4762	M8	75	13	8	6	4
M8X80	ISO4762	M8	80	13	8	6	4
M8X85	ISO4762	M8	85	13	8	6	4
M8X90	ISO4762	M8	90	13	8	6	4
M8X100	ISO4762	M8	100	13	8	6	4
M8X110	ISO4762	M8	110	13	8	6	4
M8X140	ISO4762	M8	140	13	8	6	4
M8X150	ISO4762	M8	150	13	8	6	4
M10X16	ISO4762	M10	16	16	10	8	5
M10X20	ISO4762	M10	20	16	10	8	5
M10X22	ISO4762	M10	22	16	10	8	5
M10X25	ISO4762	M10	25	16	10	8	5
M10X30	ISO4762	M10	30	16	10	8	5
M10X35	ISO4762	M10	35	16	10	8	5
M10X40	ISO4762	M10	40	16	10	8	5
M10X45	ISO4762	M10	45	16	10	8	5
M10X50	ISO4762	M10	50	16	10	8	5
M10X55	ISO4762	M10	55	16	10	8	5
M10X60	ISO4762	M10	60	16	10	8	5
M10X65	ISO4762	M10	65	16	10	8	5
M10X70	ISO4762	M10	70	16	10	8	5
M10X75	ISO4762	M10	75	16	10	8	5
M10X80	ISO4762	M10	80	16	10	8	5
M10X85	ISO4762	M10	85	16	10	8	5
M10X90	ISO4762	M10	90	16	10	8	5
M10X95	ISO4762	M10	95	16	10	8	5
M10X100	ISO4762	M10	100	16	10	8	5
M10X110	ISO4762	M10	110	16	10	8	5
M10X120	ISO4762	M10	120	16	10	8	5
M10X130	ISO4762	M10	130	16	10	8	5
M10X150	ISO4762	M10	150	16	10	8	5
M12X20	ISO4762	M12	20	18	12	10	6
M12X25	ISO4762	M12	25	18	12	10	6
M12X30	ISO4762	M12	30	18	12	10	6
M12X35	ISO4762	M12	35	18	12	10	6
M12X40	ISO4762	M12	40	18	12	10	6
M12X45	ISO4762	M12	45	18	12	10	6
M12X50	ISO4762	M12	50	18	12	10	6
M12X55	ISO4762	M12	55	18	12	10	6



M12X60	ISO4762	M12	60	18	12	10	6
M12X65	ISO4762	M12	65	18	12	10	6
M12X70	ISO4762	M12	70	18	12	10	6
M12X75	ISO4762	M12	75	18	12	10	6
M12X80	ISO4762	M12	80	18	12	10	6
M12X85	ISO4762	M12	85	18	12	10	6
M12X90	ISO4762	M12	90	18	12	10	6
M12X95	ISO4762	M12	95	18	12	10	6
M12X100	ISO4762	M12	100	18	12	10	6
M12X110	ISO4762	M12	110	18	12	10	6
M12X120	ISO4762	M12	120	18	12	10	6
M12X130	ISO4762	M12	130	18	12	10	6
M12X150	ISO4762	M12	150	18	12	10	6
M14X25	ISO4762	M14	25	21	14	12	7
M14X30	ISO4762	M14	30	21	14	12	7
M14X35	ISO4762	M14	35	21	14	12	7
M14X40	ISO4762	M14	40	21	14	12	7
M14X45	ISO4762	M14	45	21	14	12	7
M14X50	ISO4762	M14	50	21	14	12	7
M14X55	ISO4762	M14	55	21	14	12	7
M14X60	ISO4762	M14	60	21	14	12	7
M14X65	ISO4762	M14	65	21	14	12	7
M14X70	ISO4762	M14	70	21	14	12	7
M14X80	ISO4762	M14	80	21	14	12	7
M14X90	ISO4762	M14	90	21	14	12	7
M14X100	ISO4762	M14	100	21	14	12	7
M16X25	ISO4762	M16	25	24	16	14	8
M16X30	ISO4762	M16	30	24	16	14	8
M16X35	ISO4762	M16	35	24	16	14	8
M16X40	ISO4762	M16	40	24	16	14	8
M16X45	ISO4762	M16	45	24	16	14	8
M16X50	ISO4762	M16	50	24	16	14	8
M16X55	ISO4762	M16	55	24	16	14	8
M16X60	ISO4762	M16	60	24	16	14	8
M16X65	ISO4762	M16	65	24	16	14	8
M16X70	ISO4762	M16	70	24	16	14	8
M16X75	ISO4762	M16	75	24	16	14	8
M16X80	ISO4762	M16	80	24	16	14	8
M16X90	ISO4762	M16	90	24	16	14	8
M16X100	ISO4762	M16	100	24	16	14	8
M16X120	ISO4762	M16	120	24	16	14	8
M16X150	ISO4762	M16	150	24	16	14	8
M20X40	ISO4762	M20	40	30	20	17	10

M20X45	ISO4762	M20	45	30	20	17	10
M20X50	ISO4762	M20	50	30	20	17	10
M20X55	ISO4762	M20	55	30	20	17	10
M20X60	ISO4762	M20	60	30	20	17	10
M20X65	ISO4762	M20	65	30	20	17	10
M20X70	ISO4762	M20	70	30	20	17	10
M20X75	ISO4762	M20	75	30	20	17	10
M20X80	ISO4762	M20	80	30	20	17	10
M20X90	ISO4762	M20	90	30	20	17	10
M20X100	ISO4762	M20	100	30	20	17	10
M20X120	ISO4762	M20	120	30	20	17	10